

THE IRRESISTIBLE FLAMES OF MASPORT



GAS LOG FIRE FLUE MANUAL 2004

552339

ISSUE A, JANUARY 2004



NEW ZEALAND

1-37 Mt Wellington Highway, Panmure, Auckland 6
Ph. (09) 571 1200 fax 0508 570 570
email sales@masport.co.nz
www.masport.co.nz

Masport[®]
gas & wood fires

Masonry Flue Kit

Product Description

Part Number



Masonry Flue Kit - 4m

588651



Piccolo



Sofia



Madrid

Masonry Chimney
Extension Kit
- 3.6 metres

551509

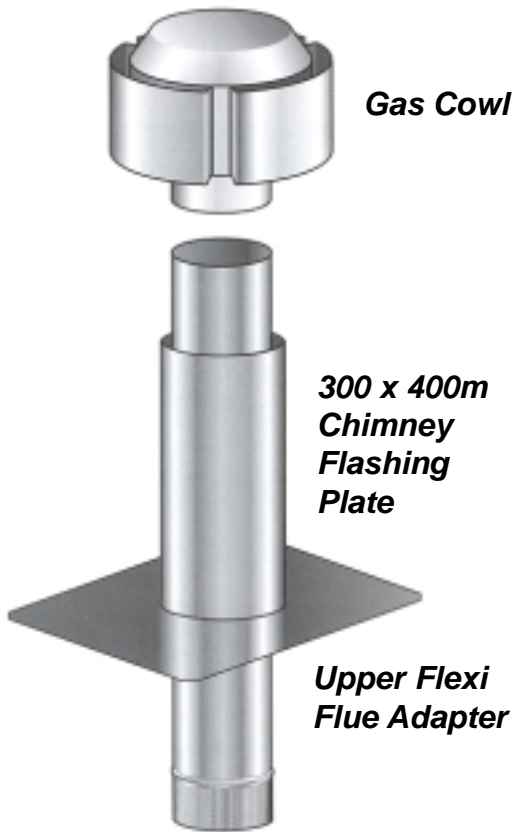
*This kit contains: Gas Cowl, Chimney
Flashing Plate, Upper Flexi Flue, Lower Flexi
Adapter, Flexi Flue 3.6 metre.*

Will fit Masport Piccolo, Sofia & Madrid Gas Fires

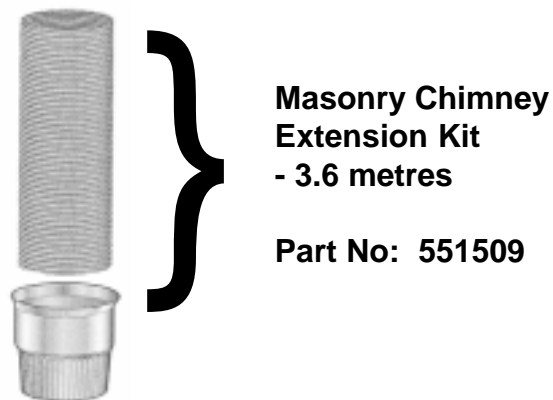
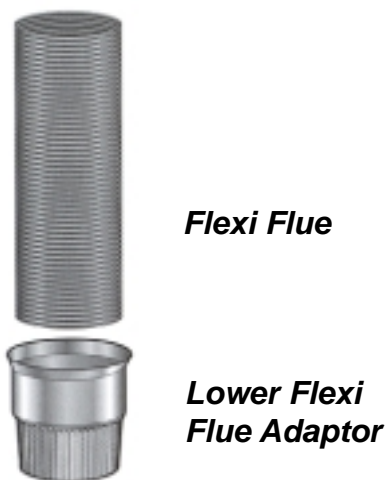
Masonry Chimney Gas Flue Kit Installation Instructions

This flue kit has been manufactured in accordance with NZS 5262:2003. To ensure safety this flue kit must be installed as outlined in these instructions. The appliance to which it is connected must be installed in accordance with Masport's specifications and NZS 5262:2003.

FLEXI-FLUE LINER is manufactured in type 3003 Aluminium Alloy 2 ply .26mm thick to comply with NZS 5261:1996 and AGA 601:1998



1. Ensure the chimney is clean and free of soot. Check the chimney for structural soundness.
2. Check height of chimney to ensure FLEXI-FLUE LINER length is sufficient for installation.
3. Stretch FLEXI-FLUE LINER to extended length of 3.6 metres. If extra length is required in the flue liner 1 00mm stainless steel pipe can be added (crimped end into the FLEXI-FLUE) or using a FLEXI-FLUE ADAPTOR additional FLEXI-FLUE added.
4. Secure UPPER FLEXI-FLUE ADAPTOR to FLEXI-FLUE (crimped end into the FLEXI-FLUE).
5. Push FLEXI-FLUE fully into LOWER FLEXI-FLUE ADAPTOR and twist anti-clockwise so the pressed tangs on the ADAPTOR grip and secure the FLUE.
6. Insert UPPER FLEXI-FLUE ADAPTOR into CHIMNEY FLASHING PLATE and ensuring top is flush. Secure with rivets or screws.
7. Lower FLEXI-FLUE LINER into chimney.
8. Secure CHIMNEY FLASHING PLATE to chimney with suitable fasteners and weather seal to the chimney top with mortar and/or silicone.
9. Fit GAS COWL into FLUE.



Flue Kit Part Number: 588651

N.B. It is the responsibility of the installer to ensure that the installation of this flue kit complies with Masport's specifications for flues and that relevant Local Body requirements are adhered to.

Will fit Masport Piccolo, Sofia & Madrid Gas Fires

Gasfire Flue Kits - Zero Clearance

Product Description

Part Number

Zero Clearance
Flue Kit

588650



Piccolo



Sofia



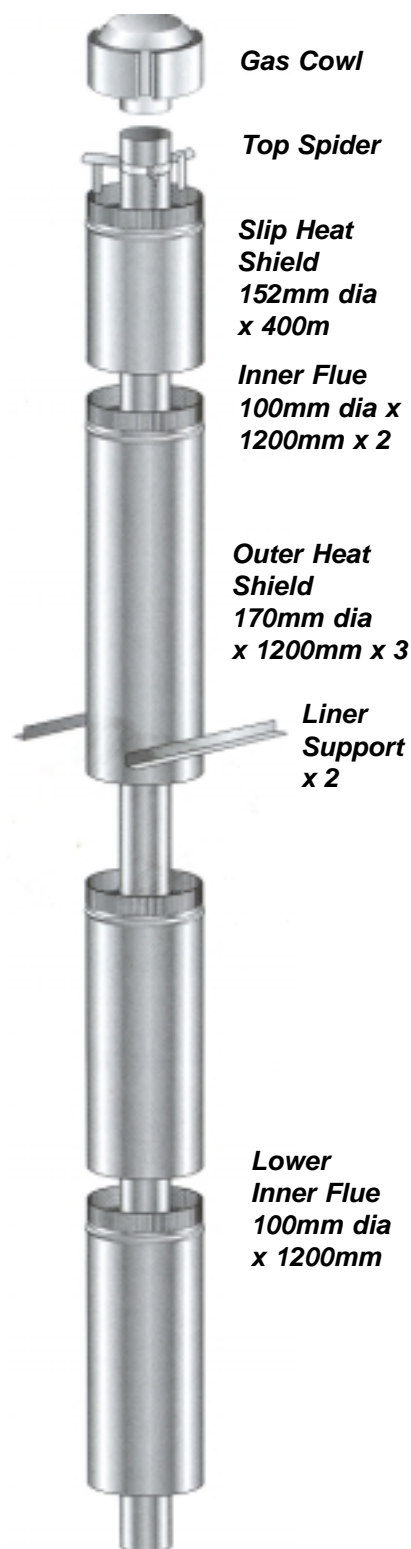
Madrid

This kit contains: Gas Cowl, Slip Liner 400mm, Outer Liner 1200mm x 3, Inner Flue Crimped 1200mm x 2, Inner Flue Plain 1200mm x 1, Lower Spider x 1, Liner Supports x 2

Will fit Masport Piccolo, Sofia & Madrid Gas Fires

Zero Clearance Gas Flue Kit Installation Instructions

This flue kit has been manufactured in accordance with NZS 5262:2003. To ensure safety this flue kit must be installed as outlined in these instructions. Heater and flue clearances from combustible walls must be in accordance with Masport's specifications and NZS 5262:2003.



1. Locate heater in its proposed position and mark the points for penetration that are directly above the centre of the heater's flue outlet. Check that the heater's location allows the OUTER HEAT SHIELD to clear all structural timbers.
2. Cut 200mm square holes where penetration is required to accommodate OUTER HEAT SHIELD. **NB: A minimum 25mm clearance is required between OUTER HEAT SHIELD and combustible surfaces.**
3. Fit timber nogs around holes where necessary.
4. Assemble OUTER HEAT SHIELD lengths together ensuring seams are in line and secure with 3 rivets or self-tapping screws. Lower OUTER HEAT SHIELD through roof or chimney structure and fit to heater spigot. Check height on the OUTER HEAT SHIELD penetrates roof or chimney structure. When calculating roof penetration height allow for an extra 300mm that can be achieved by using the OUTER HEAT SHIELD SLIP EXTENSION.

The flue is required to be at least 500mm above the nearest point on any part of the roof. It is recommended that in some instances extending the flue above the ridge line will be necessary. Refer to NZS 5262:2003 for more information. Additional HEAT SHIELDS may have to be added to ensure the correct roof penetration heights are obtained.

5. Assemble the 100mm inner FLUE PIPES together ensuring all seams are in line using 3 pop rivets or screws and seal joints with appropriate sealant.
6. Fit FLUE SPACER BRACKETS to FLUE if necessary to maintain air gap between FLUE PIPES and OUTER HEAT SHIELD.
7. Lower stainless steel FLUE PIPES from the roof into the OUTER HEAT SHIELD and onto the heater flue outlet. Lift OUTER HEAT SHIELD for access and seal flue to heater stub.
8. Secure OUTER HEAT SHIELD to heater, if necessary.
9. Using ANGLE BRACKETS secure OUTER HEAT SHIELD to nogs around penetration holes **NB: A minimum 25mm clearance is required between OUTER HEAT SHIELD and combustible surfaces.**
10. Fix an appropriate flashing around the OUTER HEAT SHIELD to seal onto the roofing or chimney material.
11. Before securing the SLIP EXTENSION OUTER HEAT SHIELD to the OUTER HEAT SHIELD ensure the flue extends above the top of the SLIP EXTENSION OUTER HEAT SHIELD 25mm. Adjust SLIP EXTENSION to obtain this measurement.
12. Fix TOP FLUE SPACER BRACKET to the FLUE making sure lugs fit snugly inside OUTER HEAT SHIELD.
13. Fit GAS COWL into flue pushing down fully onto TOP SPACER BRACKET.

Flue Kit Part Number: 588650

N.B. It is the responsibility of the installer to ensure that the installation of this flue kit complies with Masport's specifications for flues and that relevant Local Body requirements are adhered to.

Will fit Masport Piccolo, Sofia & Madrid Gas Fires

Gasfire Flue Kits - Zero Clearance

Product Description

Part Number

Zero Clearance
Flue Kit

588650



Surefire G51

This kit contains: Gas Cowl, Outer Liner 1200mm x 250mm x 3, Inner Flue Crimped 1200mm x 200mm x 3.

Will fit Surefire G51 Gas Fire

Zero Clearance Gas Flue Kit Installation Instructions

This flue kit has been manufactured in accordance with NZS 5262:2003. To ensure safety this flue kit must be installed as outlined in these instructions. Heater and flue clearances from combustible walls must be in accordance with Masport's specifications and NZS 5262:2003.



**200mm
Gas Cowl**



**Inner Flue
200mm dia x
1200mm x 3**



**Outer Heat
Shield
250mm dia
x 1200mm x 3**



1. Locate heater in its proposed position and mark the points for penetration that are directly above the centre of the heater's flue outlet. Check that the heater's location allows the OUTER HEAT SHIELD to clear all structural timbers.
2. Cut 300mm square holes where penetration is required to accommodate OUTER HEAT SHIELD. **NB: A minimum 25mm clearance is required between OUTER HEAT SHIELD and combustible surfaces.**
3. Fit timber nogs around holes where necessary.
4. Assemble OUTER HEAT SHIELD lengths together ensuring seams are in line and secure with 3 rivets or self-tapping screws. Lower OUTER HEAT SHIELD through roof or chimney structure and fit to heater spigot. Check height on the OUTER HEAT SHIELD penetrates roof or chimney structure.

The flue is required to be at least 500mm above the nearest point on any part of the roof. It is recommended that in some instances extending the flue above the ridge line will be necessary. Refer to NZS 5262:2003 for more information. Additional HEAT SHIELDS may have to be added to ensure the correct roof penetration heights are obtained.

5. Assemble the 200mm inner FLUE PIPES together ensuring all seams are in line using 3 pop rivets or screws and seal joints with appropriate sealant.
6. Fit FLUE SPACER BRACKETS to FLUE if necessary to maintain air gap between FLUE PIPES and OUTER HEAT SHIELD.
7. Lower stainless steel FLUE PIPES from the roof into the OUTER HEAT SHIELD and onto the heater flue outlet. Lift OUTER HEAT SHIELD for access and seal flue to heater stub.
8. Secure OUTER HEAT SHIELD to heater, if necessary.
9. Using ANGLE BRACKETS secure OUTER HEAT SHIELD to nogs around penetration holes **NB: A minimum 25mm clearance is required between OUTER HEAT SHIELD and combustible surfaces.**
10. Fix an appropriate flashing around the OUTER HEAT SHIELD to seal onto the roofing or chimney material.
11. Fit GAS COWL into flue pushing down fully.



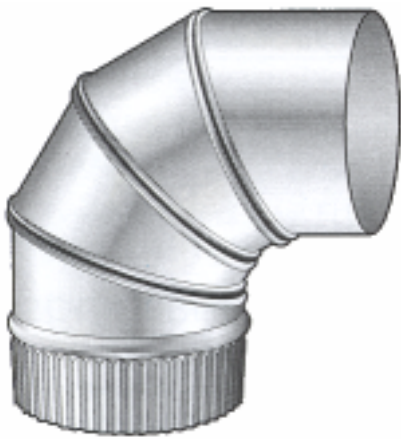
**Offset Kit
Part No: 552344**

Flue Kit Part Number: 552343

N.B. It is the responsibility of the installer to ensure that the installation of this flue kit complies with Masport's specifications for flues and that relevant Local Body requirements are adhered to.

Will fit Masport Surefire G51 Gas Fire

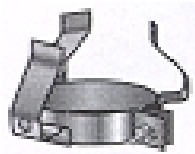
Extension and Parts List



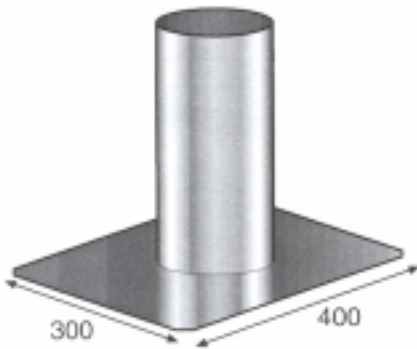
100mm Adjustable Bend
Part No: 551496



100mm Anti-Down Draught Gas cowl
Part No: 551484



Flue Spacer
Part No: 551491



Chimney Flashing Plate
Part No: 551488



Support Bracket
Part No: 551487



100mm Galvanized Flue Length - 1200mm
Part No: 556316



100mm Stainless Steel Flue Length - 1200mm
Part No: 551482



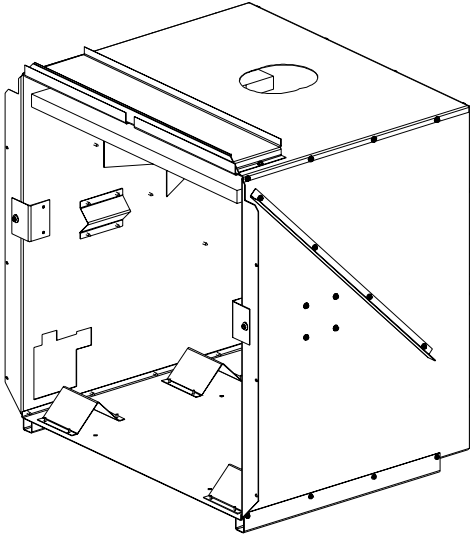
Masonry Chimney Extension Kit
Part No: 551509

Expandable to 3.6 metres

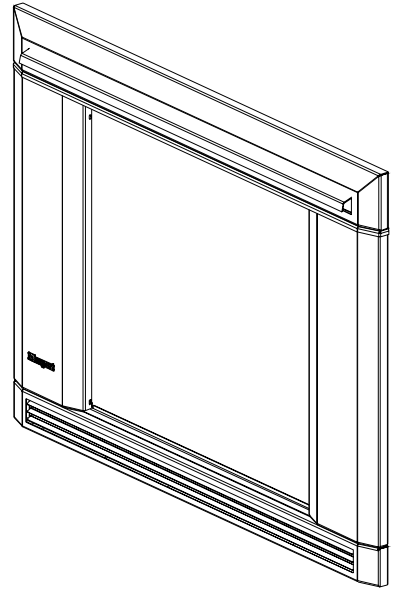


Top Flue Spacer Bracket
Part No: 556095

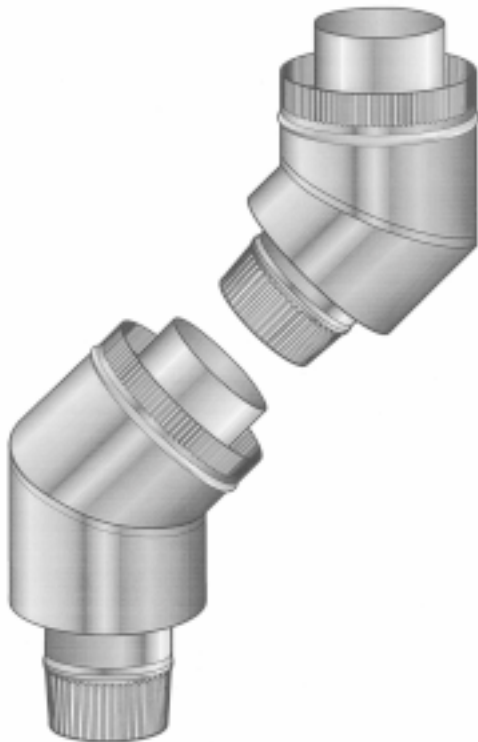
Inbuilt Zero Clearance Kit and Accessories



**Zero Clearance Box
for Piccolo, Sofia & Madrid**
Part No: 990940



Zero Clearance Fascia
Piccolo Part No: 990941
Sofia Part No: 990939
Madrid Part No: 990943



Offset Kit
Part No: 588669



Extension Kit
Part No: 588672

Will fit Masport Piccolo, Sofia & Madrid Gas Fires